

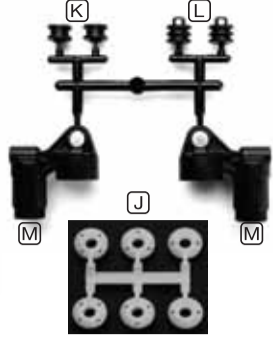
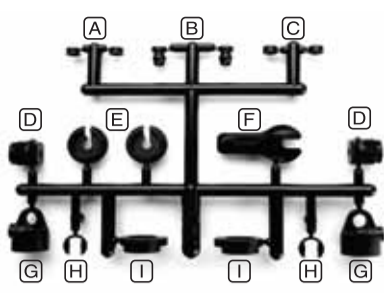


# PIGGY-BACK SHOCK ASSEMBLY INSTRUCTIONS

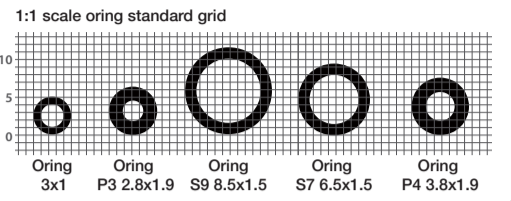
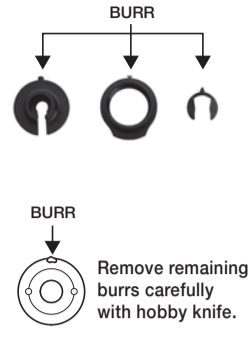


Made in Korea [www.gmade.net](http://www.gmade.net)

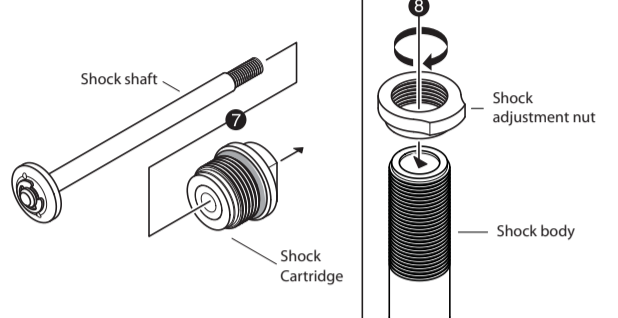
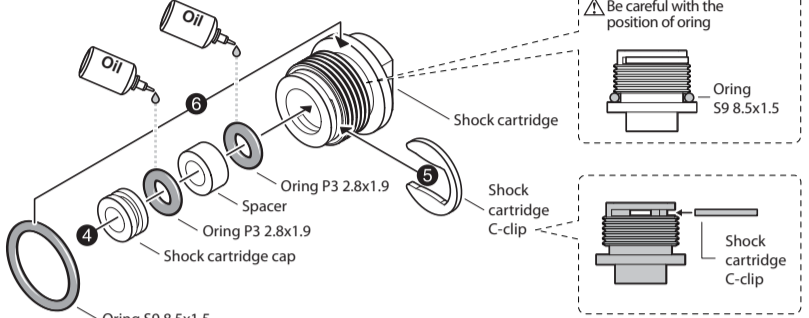
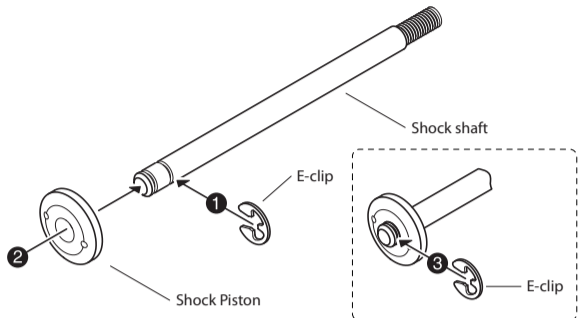
Step 1



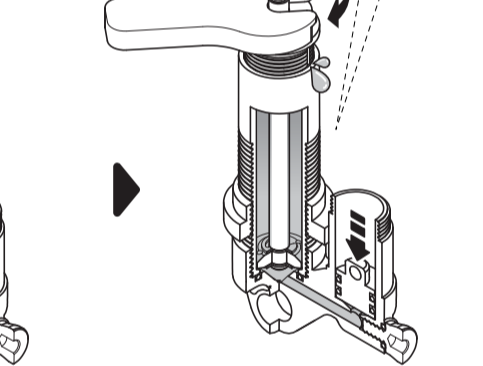
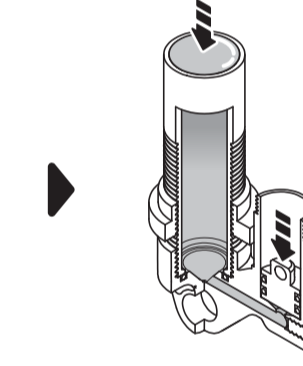
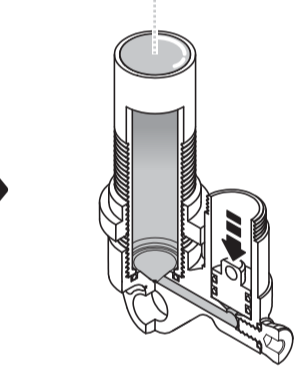
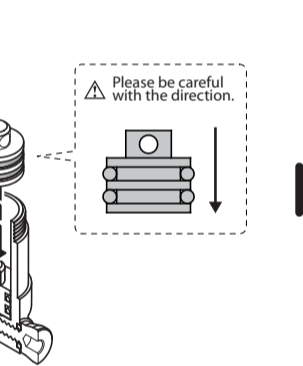
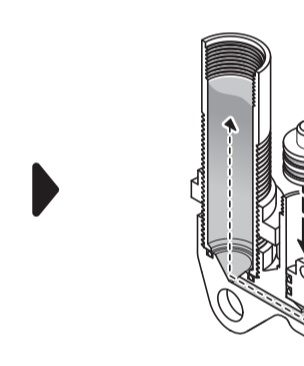
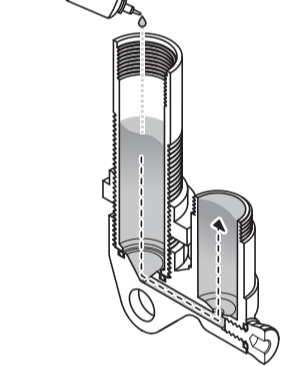
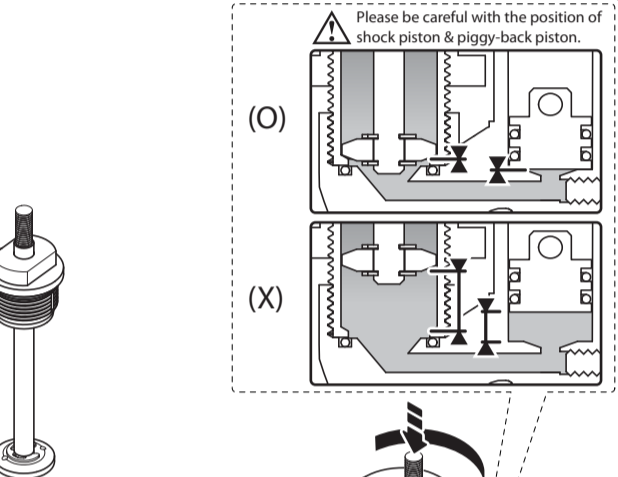
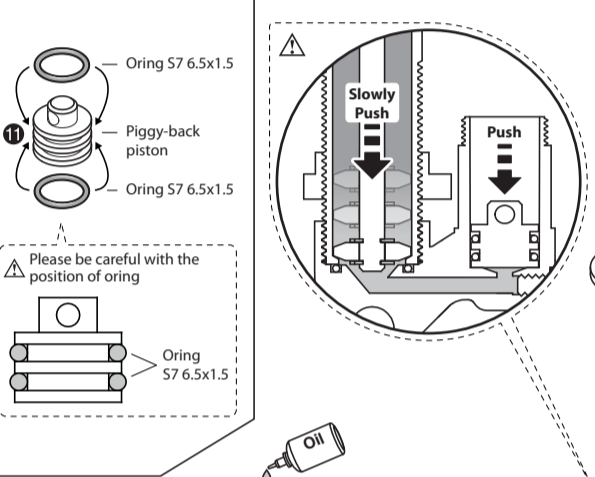
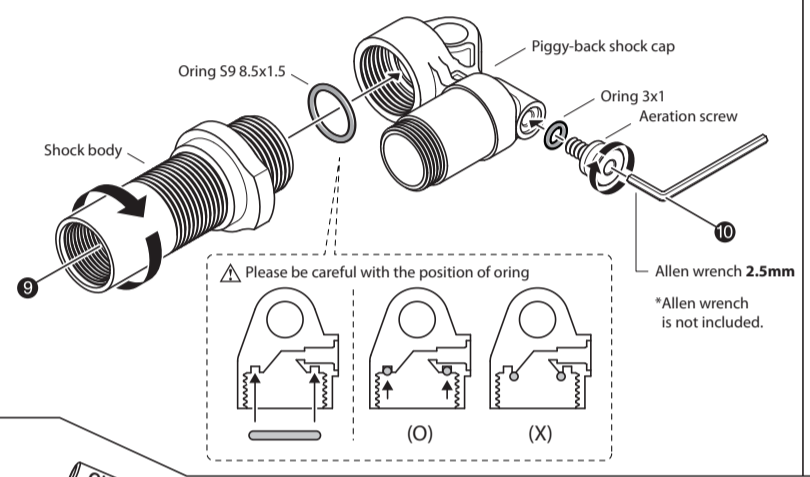
- A Shock cartridge cap
- B Shock cap bushing
- C Spacer
- D Shock cartridge
- E Spring cup
- F Tool
- G Shock cap
- H Shock cartridge C-clip
- I Shock adjustment nut
- J Shock piston
- K Piggy-back bushing
- L Piggy-back piston
- M Piggy-back shock cap



Step 2



Step 3



12 Fill in the shock cylinder with oil in proper amount and wait until the piggy-back cylinder will be filled with oil.

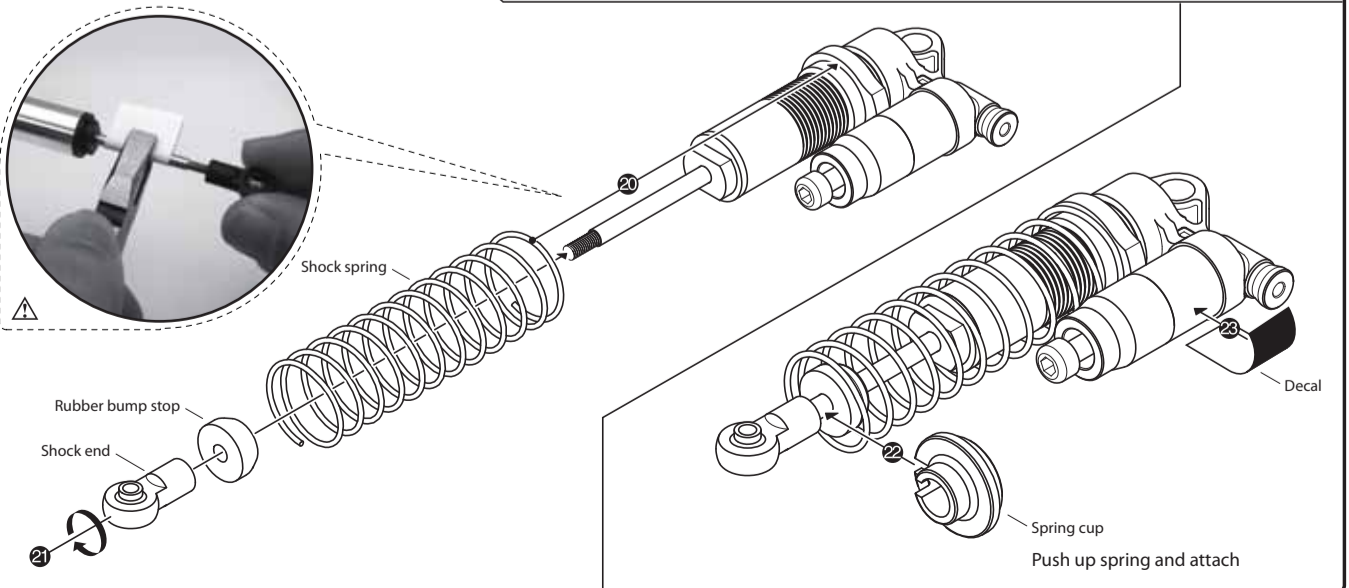
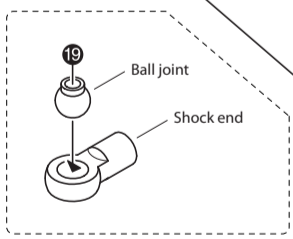
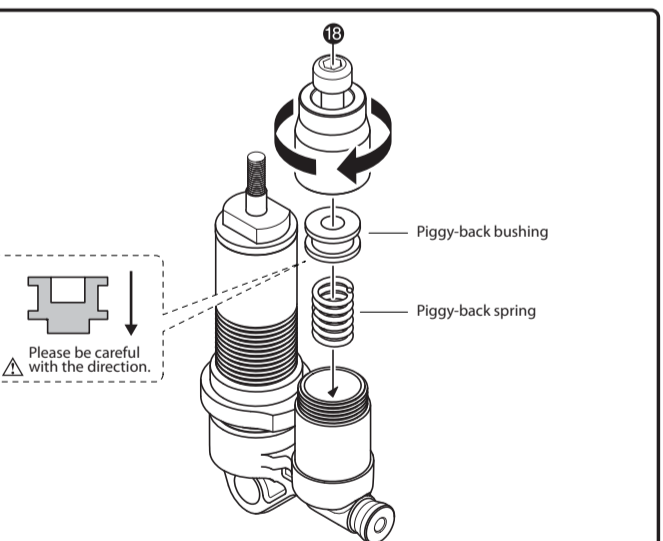
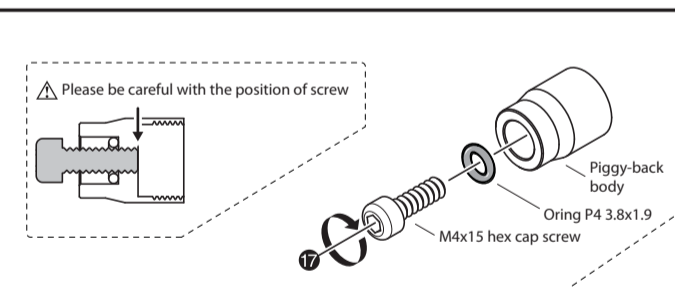
13 When oil is full in the piggy-back cylinder, push in piggy-back piston into the piggy-back cylinder.

14 Fill the shock cylinder with oil to top of thread.

15 While pushing down the piggy-back piston, press in shock piston slowly all the way to bottom.

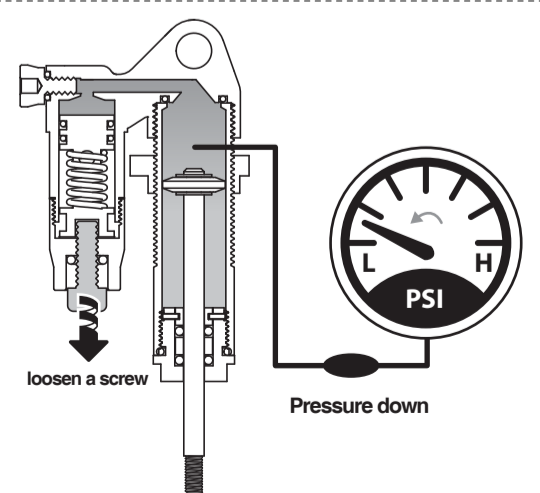
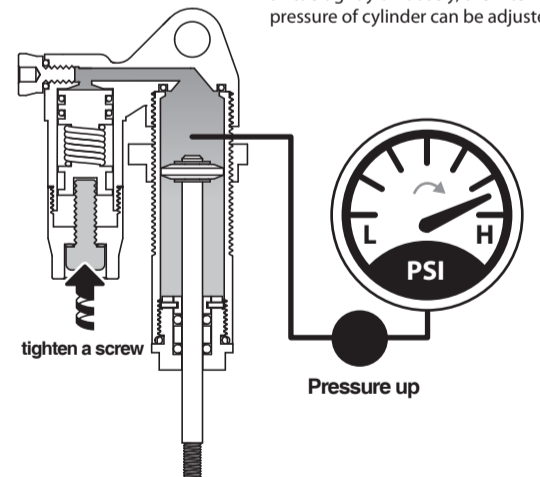
16 While pushing in both the piggy-back piston and shock shaft, tighten cartridge slowly.

Step 4



## Piggy-back Pressure setting

By screwing the hex cap screw a little tightly or loosely, the internal pressure of cylinder can be adjusted.



For any inquiry or detailed assembly explanation, Please visit our Gmade website. Video manual [www.gmade.net](http://www.gmade.net)