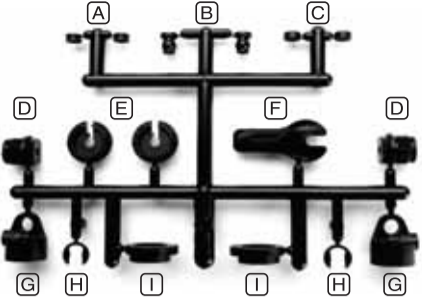


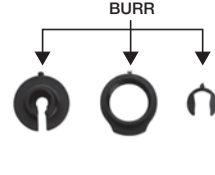
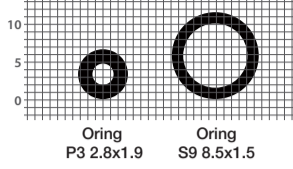
Diaphragm shock assembly instructions

Step 1



- A Shock cartridge cap
- B Shock cap bushing
- C Spacer
- D Shock cartridge
- E Spring cup
- F Tool
- G Shock cap
- H Shock cartridge C-clip
- I Shock adjustment nut
- J Shock piston

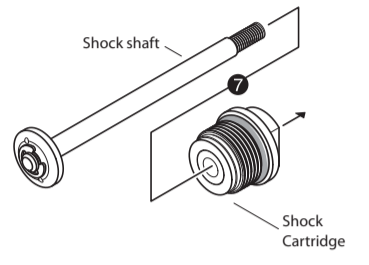
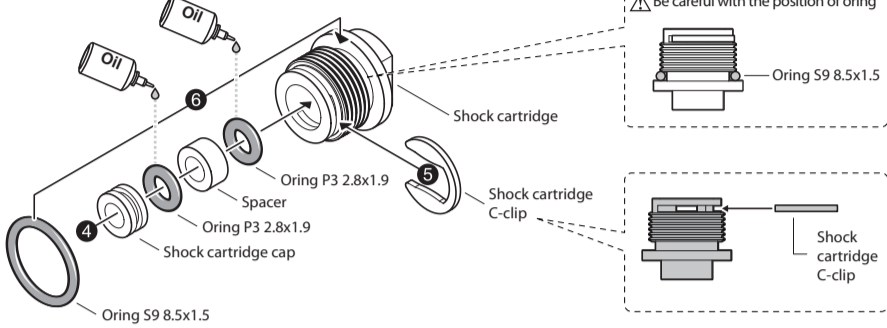
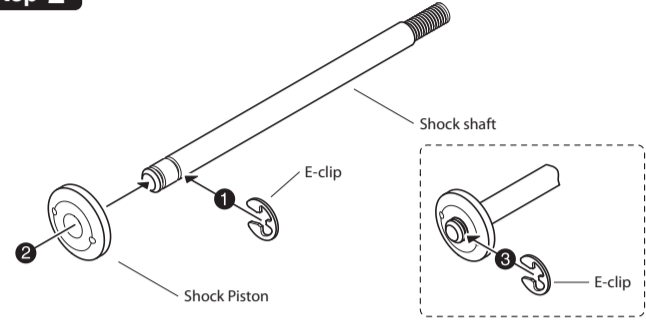
1:1 scale oring standard grid



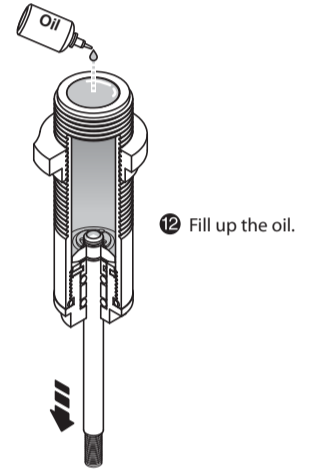
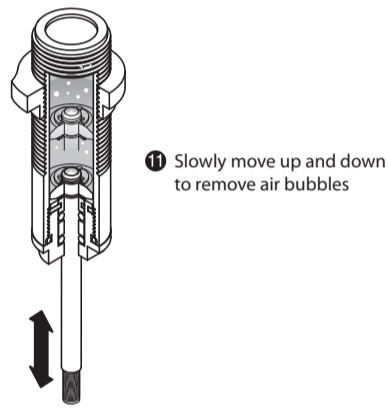
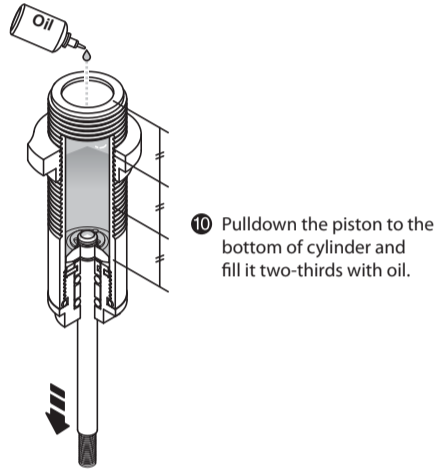
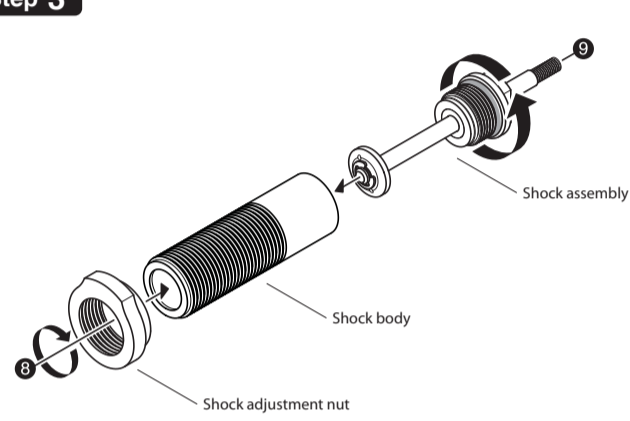
Remove remaining burrs carefully with hobby knife.



Step 2



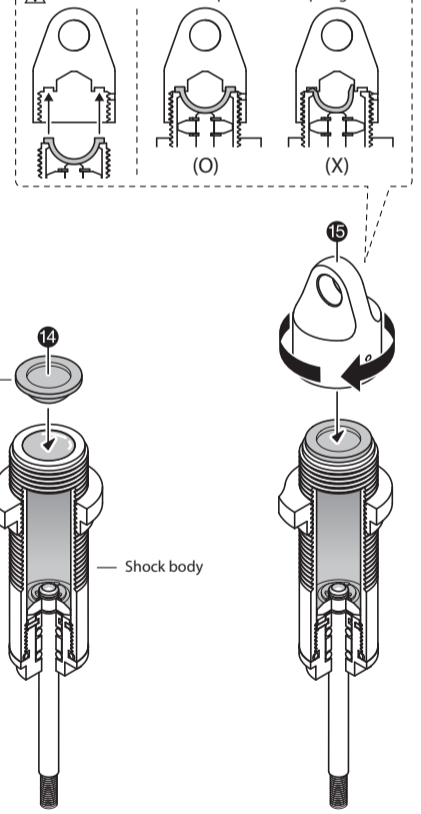
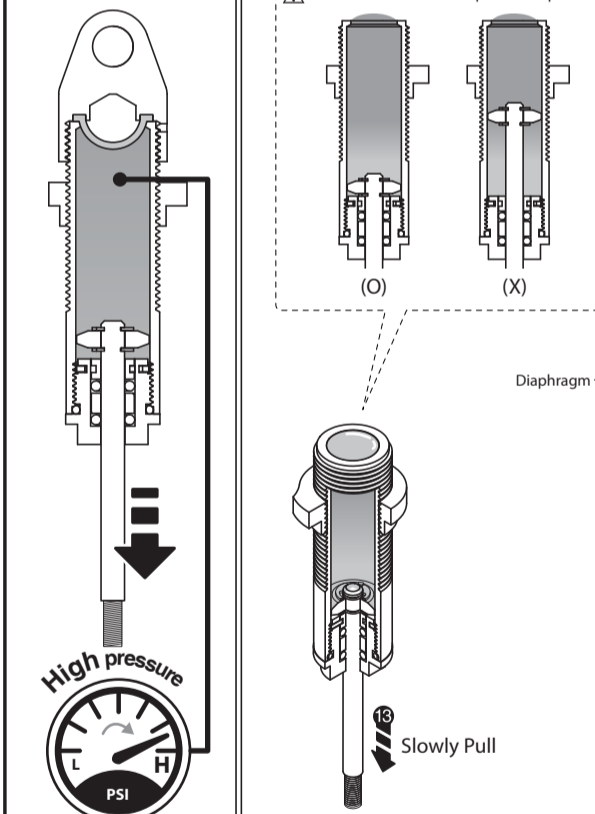
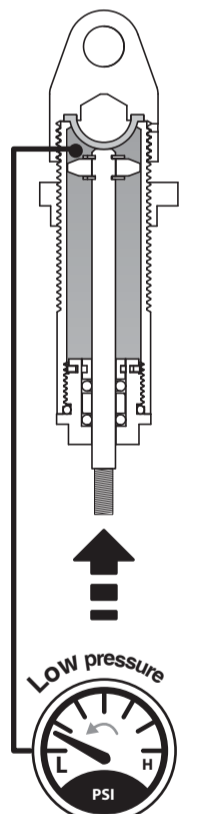
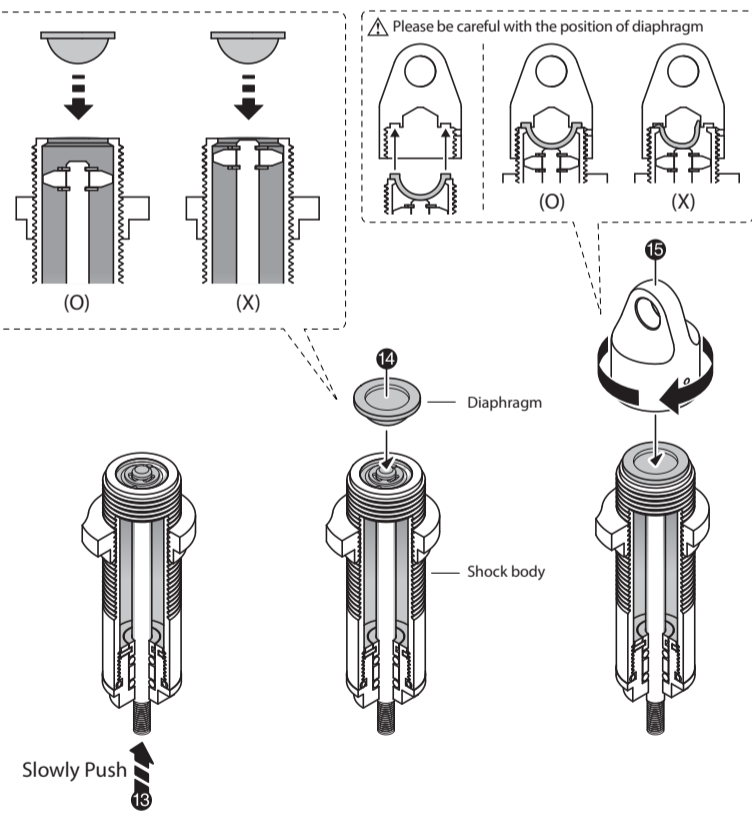
Step 3



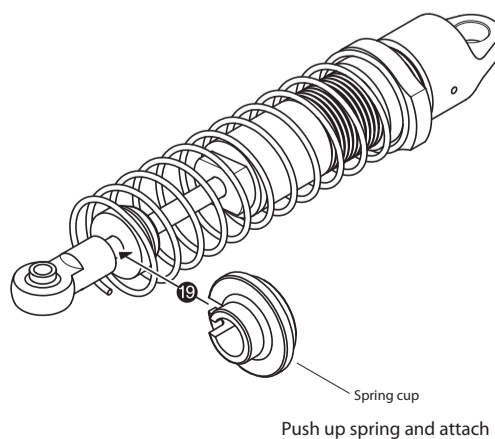
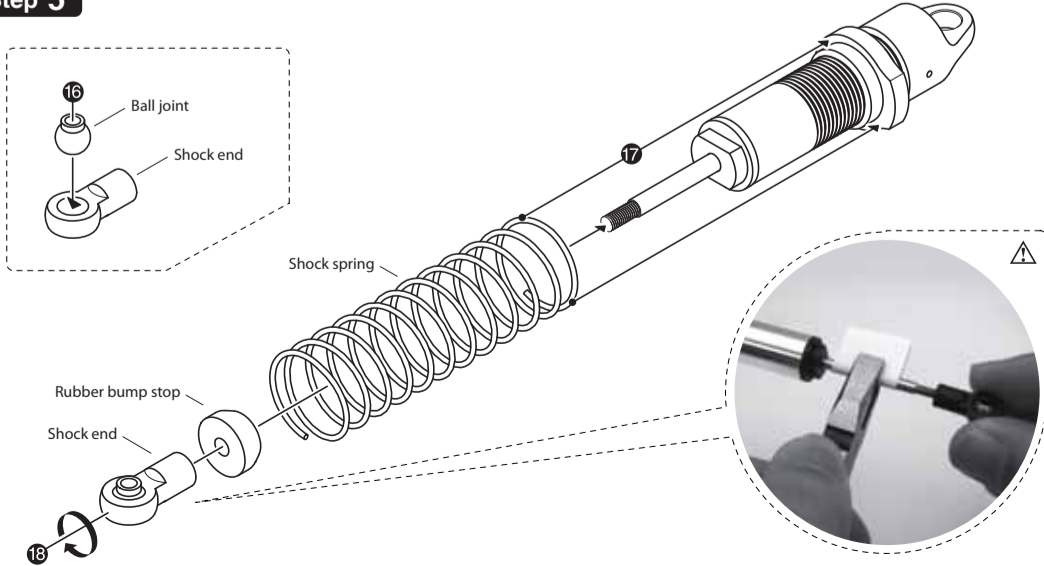
Step 4

Low pressure setup

High pressure setup



Step 5



Video manual
www.gmade.net

For any inquiry or detailed assembly explanation, Please visit our Gmade website.

GMADE
www.gmade.net

Made in Korea